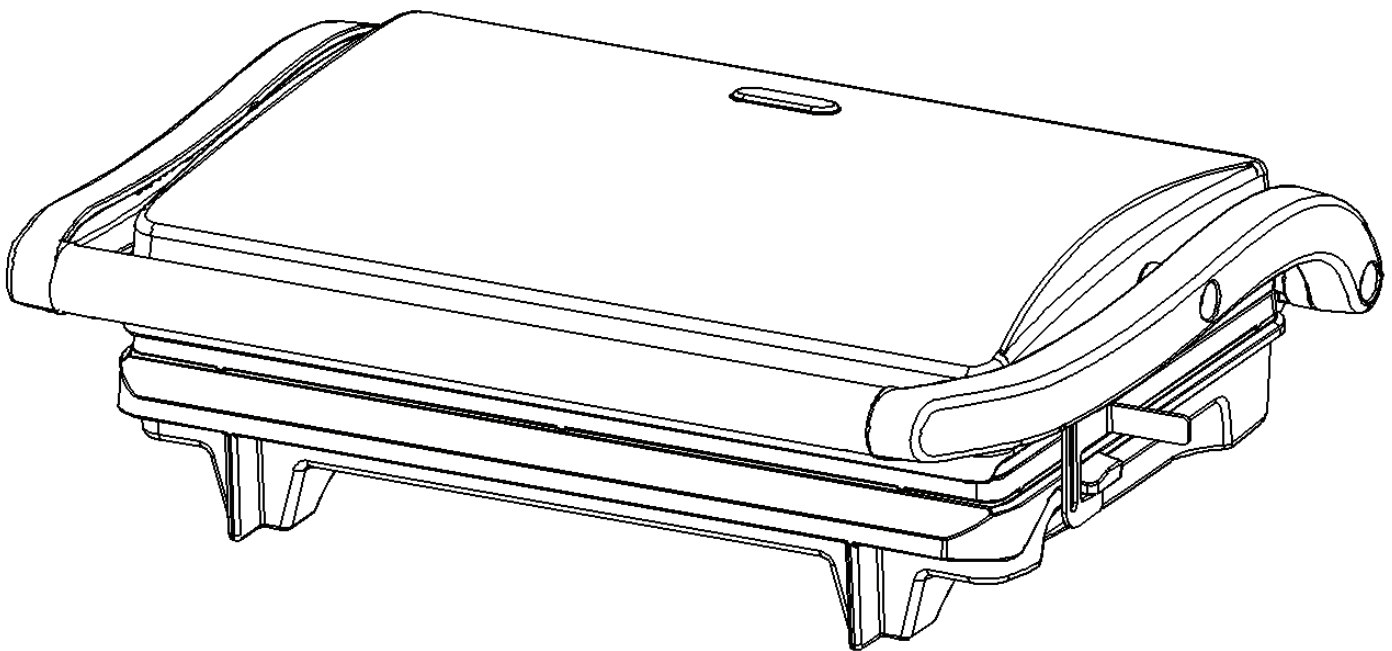


Sandwich Press & Grill

KA-SP01-SS



Contents

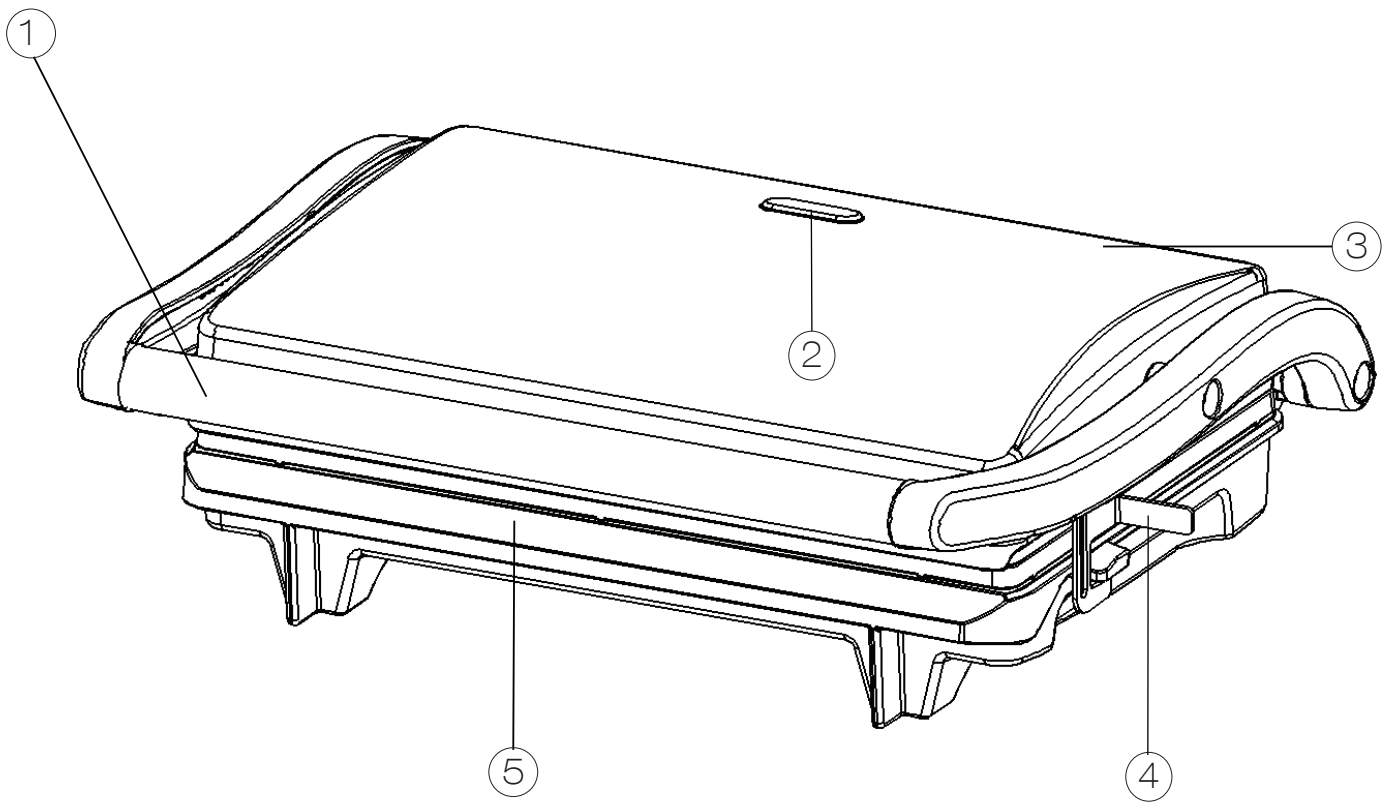
Introduction	1
Parts Included	1
Important Safeguards	2
Using the Appliance	3
Cleaning	3
Technical Specifications	3
Environmental Info and Support	4

Introduction

Congratulations on your new purchase and thank you for choosing Dihl.

Your new Dihl grill is versatile, perfect for creating scrumptious toasted treats. It's great for grilling meat, fish and veg, making it a welcome addition to any kitchen.

PARTS INCLUDED



1. Handle
2. Cooking Light
3. Top Plate
4. Handle Lock
5. Base

IMPORTANT SAFEGUARDS

Caution

1. Read all instructions carefully before use.
2. Keep this instruction manual, the packaging and your receipt. If you give or sell the product to a third party, please make sure that you also hand out this instruction manual.
3. Before first use, check to ensure the voltage indicated on the unit corresponds to the voltage of your home.
4. This appliance is for household use only.
5. Do not let the cord hang over the edge of a table or counter.
6. Always pull the plug from the mains supply when cleaning and not in use.
7. For indoor, domestic use only. Keep it away from sources of heat, direct sunlight, open fire or high humidity and never operate it with wet hands.
8. Never leave the appliance unsupervised. To protect children from the dangers posed by electrical appliances, make sure the cables are not hanging down.
9. Keep away from children. Do not allow children to play with the unit.
10. To prevent electric shock or other injury, never immerse the appliance in water or any other liquid, nor rinse it under the tap.
11. Never use the appliance if it is damaged.
12. If the cord is damaged, it must be replaced by the manufacturer, its service agent or similarly qualified persons in order to avoid a hazard.
13. This appliance is not intended for use by persons (including children) with reduced physical, sensory or mental capabilities, or lack of experience and knowledge, unless they have been given supervision or instruction concerning use of the appliance by a person responsible for their safety. Children should be supervised to ensure that they do not play with the appliance.
14. This appliance is not intended to be operated by means of an external timer or separate remote-control system.

WARNING: This electrical appliance contains heating function surfaces and can develop high temperatures and should be used with

CAUTION. The equipment should only be operated using the intended handles. We recommend using heat protection gloves or similar. You should give the appliance sufficient time to cool down before touching.

15. Always operate the appliance on an even surface.
16. Do not touch the outer surface whilst the appliance is in use as it may be hot.
17. Before connecting to the mains supply, the heating plates must be in a closed position.
18. Make sure that there is enough ventilation so that the hot steam can clear.
19. Do not try to repair the appliance yourself, always contact enquiries@dihl.co.uk in the first instance.



Do not touch the outer surface when the appliance is in use as it may be hot.

USING THE APPLIANCE

Preparing for use

1. Check the heating plates are clean and dust-free, if necessary, wipe them with a damp cloth.
2. Place the appliance on a flat, level surface.
3. Close the top lid and connect the plug to the mains supply.
4. The red light will turn on to indicate that the unit is pre-heating. It will take approximately 3 minutes for the red light to turn off, this means that the unit is ready to cook.
5. Open the appliance and place your food on the lower plate. Please note that frozen food should be completely defrosted prior to cooking.
6. At this point close the appliance and the red light will be illuminated again. (During this time, the indicator light will turn on and off due to the automatic temperature control).
7. Cooking time will depend on your own personal taste. Keep checking until the food is golden brown.
8. After cooking, open the appliance and remove your food with a wooden or plastic utensils.
9. Always clean the appliance after use.

CLEANING

1. Be aware that parts of the appliance become very hot during operation. Unplug and wait for it to completely cool down before cleaning or storing.
2. Wipe the cooking surface with a soft, damp cloth after each use. If it is difficult to remove residues, use a little oil to soften it.
3. Do not use any spray-on metal objects as this would damage the non-stick coating.

TECHNICAL SPECIFICATIONS

Model	KA-SP01-SS
Product Name	Sandwich Press & Grill
Voltage	230 V
Rated Power	700 W

ENVIRONMENTAL INFO AND SUPPORT

Storage

1. Unplug the appliance and let it cool down.
2. Make sure all parts are clean and dry.

Thermostat Reset

There may be occasions when the built-in thermostat cuts power to the device due to abnormal operating conditions.

If you discover that the device is no longer boiling water on demand, try pressing the reset button located behind where the water tank sits.

Environment

Do not throw away the appliance with the normal household waste at the end of its life; hand it in at an official collection point for recycling. By doing this, you help to preserve the environment.

Support

If you need more information or if you have a problem, please contact Diihl at enquiries@diihl.co.uk. If you have purchased your item from another retailer, please contact them directly.

To view our entire product range, visit

www.diihl.co.uk



value

quality

no compromise

