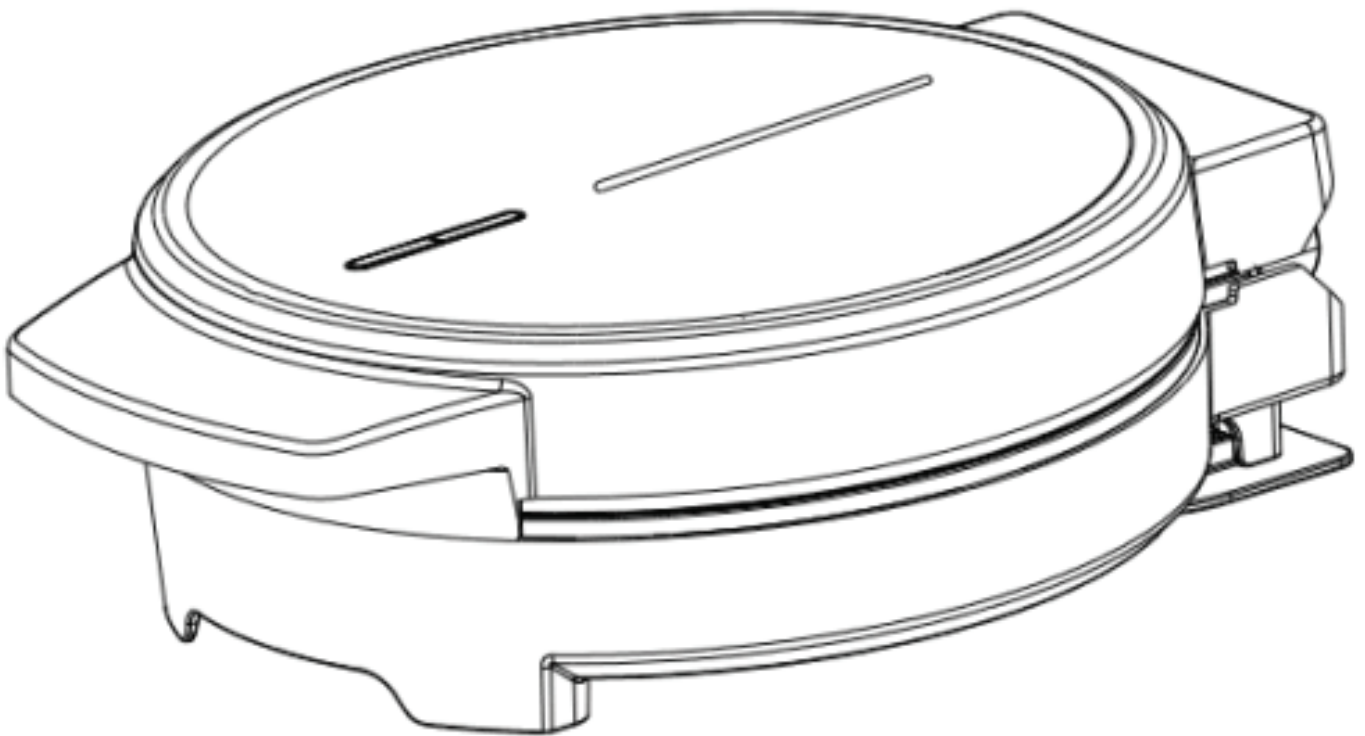


Black Waffle Iron

KA-WI-201



Contents

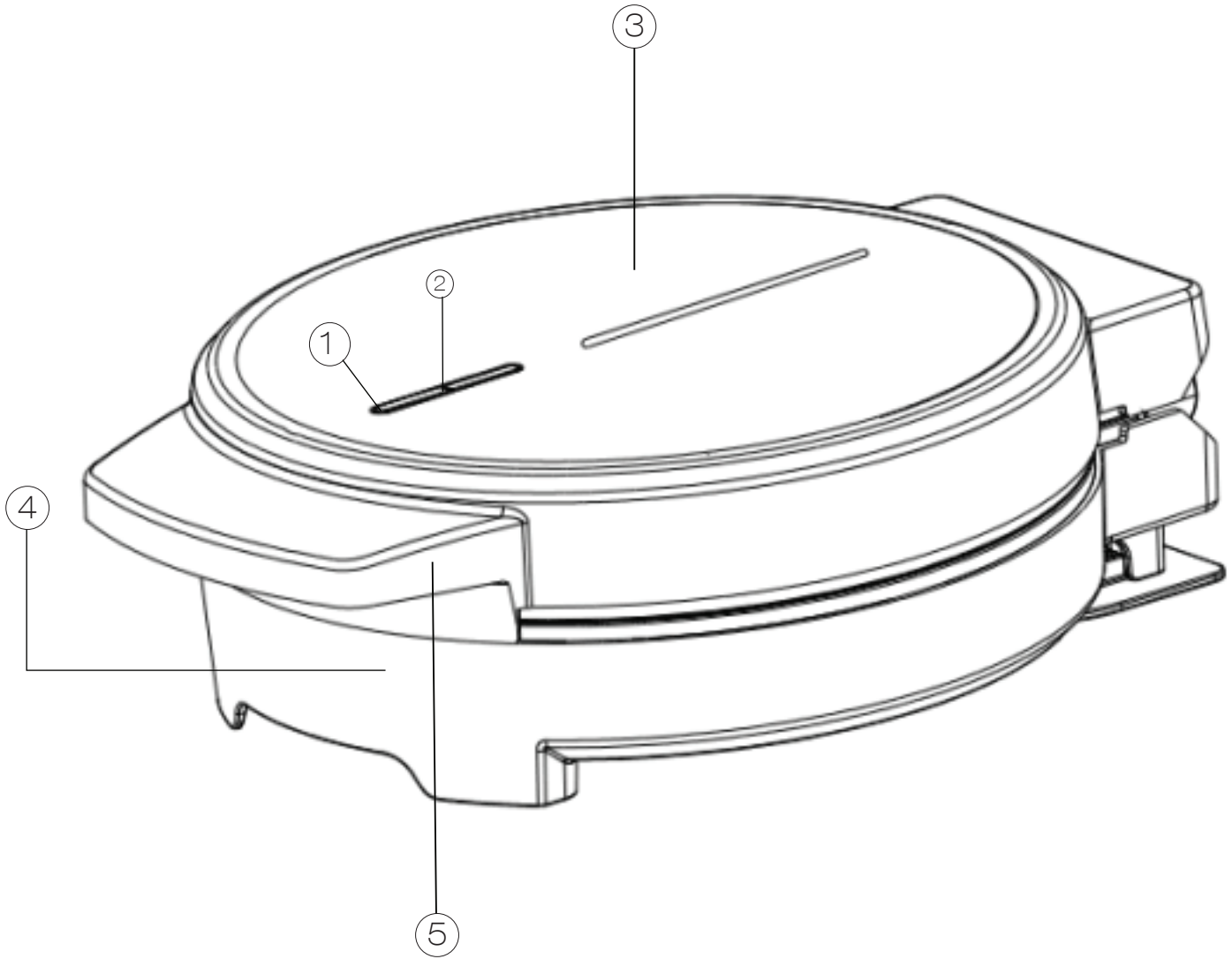
Introduction	1
Parts Included	1
Important Safeguards	2
Using the Appliance	2
Cleaning	3
Technical Specifications	3
Environmental Info and Support	3

Introduction

Congratulations on your new purchase and thank you for choosing Dihl.

Read this user manual carefully before you use the appliance and save it for future reference.

PARTS INCLUDED



1. Indicator lights (red)
2. Indicator lights (green)
3. Stainless steel cover
4. Bottom plate
5. Cool touch handle

IMPORTANT SAFEGUARDS

Caution

1. Read all instructions carefully before use.
2. Before first use, check to ensure the voltage indicated on the unit corresponds to the voltage of your home.
3. Do not operate the unit if the water is below the minimum level as this will cause damage to the heating element.
4. Do not let the cord hang over the edge of a table or counter and keep away from hot surfaces or naked flames.
5. Do not put the appliance in the refrigerator.
6. Do not lean the appliance or operate it upside down.
7. For indoor, domestic use only.
8. This appliance is not intended for use by persons with reduced physical, sensory or mental capabilities, or lack of experience and knowledge, unless they have been given supervision or instruction concerning use of the appliance by a person responsible for their safety.
9. The unit is not intended to be operated by means of an external timer.
10. Keep away from children. Do not allow children to play with the unit.
11. To prevent electric shock or other injury, never immerse the appliance in water or any other liquid, nor rinse it under the tap.
12. Do not touch the hot surface when in use.
13. Never use the appliance if it is damaged.
14. If the cord is damaged, it must be replaced by the manufacturer in order to avoid a hazard and a void warranty.

USING THE APPLIANCE

Preparing for use

1. Remove all promotional materials. Clean thoroughly before first use.
2. Place on a flat surface.
3. Plug the unit into the mains and ensure it has power.
4. The red light will illuminate to indicate that the unit is pre-heating. As soon as it has reached the appropriate temperature (usually it will take between 2½ to 3½ minutes) the red light will switch off and the green light will illuminate and you are ready to cook.
5. For best results, use a little oil or cooking spray before cooking.
6. Open the lid and pour in the waffle mix. Close the lid carefully until it locks into place. Cook around 2-4 minutes but check regularly.
7. Always switch the unit off at the mains after use.

CLEANING

1. Always switch off and unplug your appliance and allow it to completely cool before cleaning.
2. Do not immerse the unit in any liquid.
3. Wipe the outside of the appliance with a clean, damp cloth.
4. Clean the appliance with hot soapy water and a non-abrasive sponge.

TECHNICAL SPECIFICATIONS

Model	KA-WI-201
Product Name	Dihl Waffle Iron
Voltage	240 V
Rated Power	750 W

ENVIRONMENTAL INFO AND SUPPORT

Storage

1. Unplug the appliance and let it cool down.
2. Make sure all parts are clean and dry.

Environment

Do not throw away the appliance with the normal household waste at the end of its life; hand it in at an official collection point for recycling. By doing this, you help to preserve the environment.

Support

If you need more information or if you have a problem, please contact Dihl at enquiries@dihl.co.uk. If you have purchased your item from another retailer, please contact them directly.

To view our entire product range, visit

www.dihl.co.uk



value

quality

no compromise

