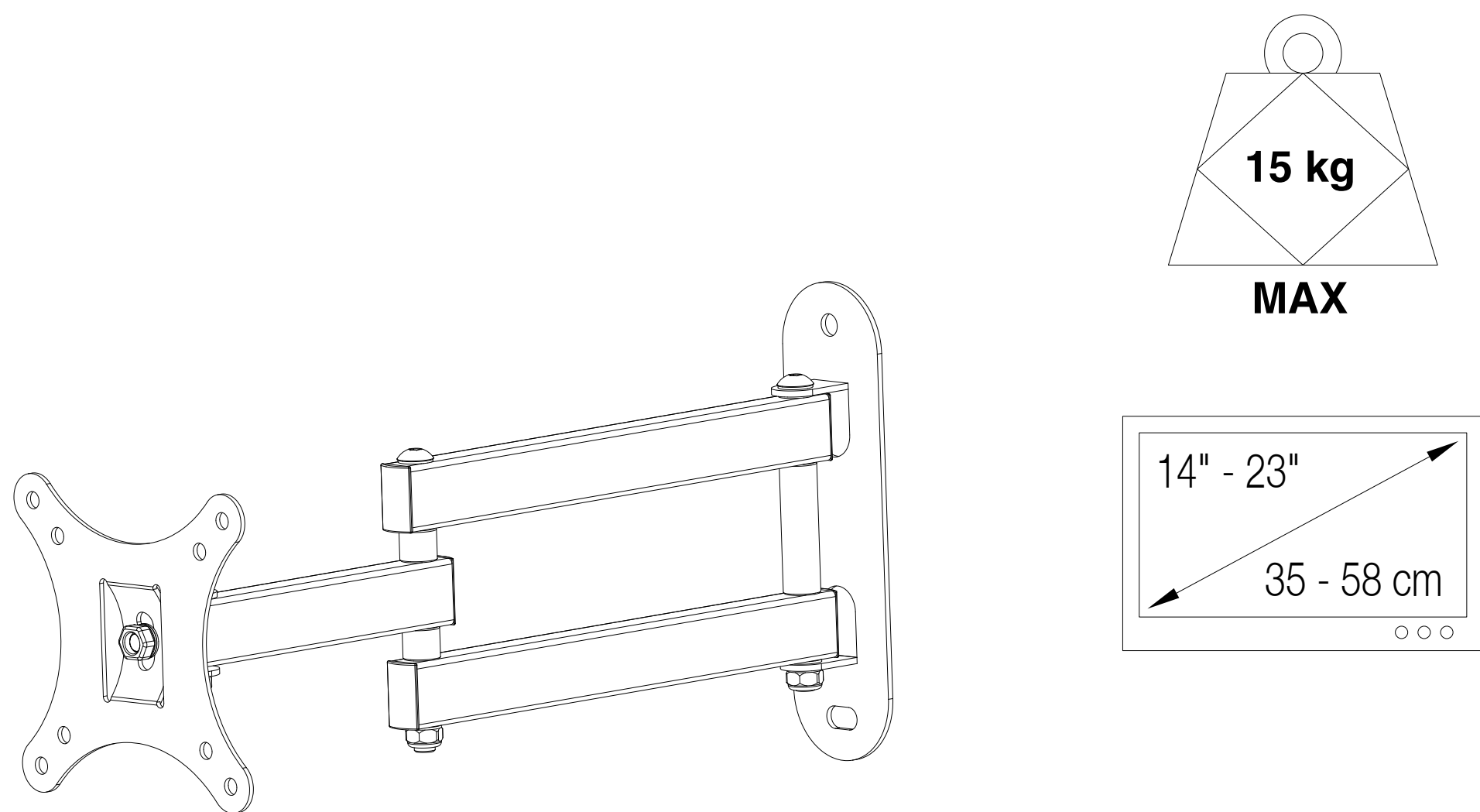
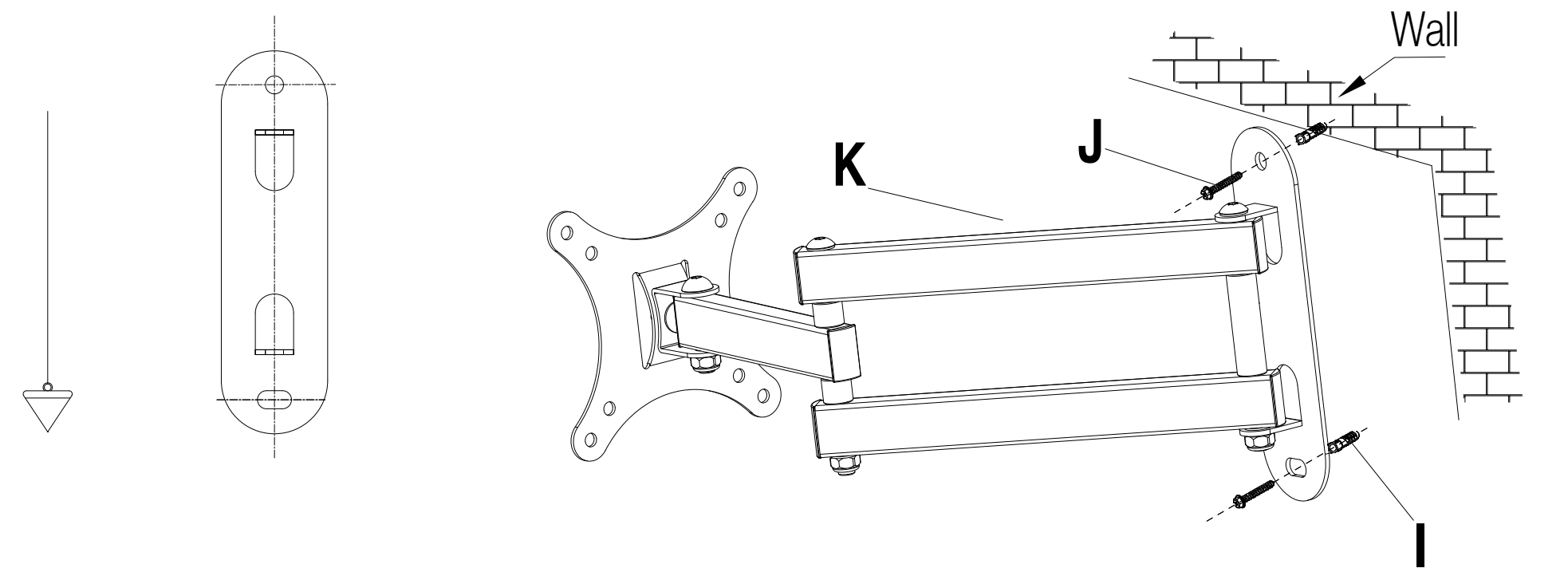


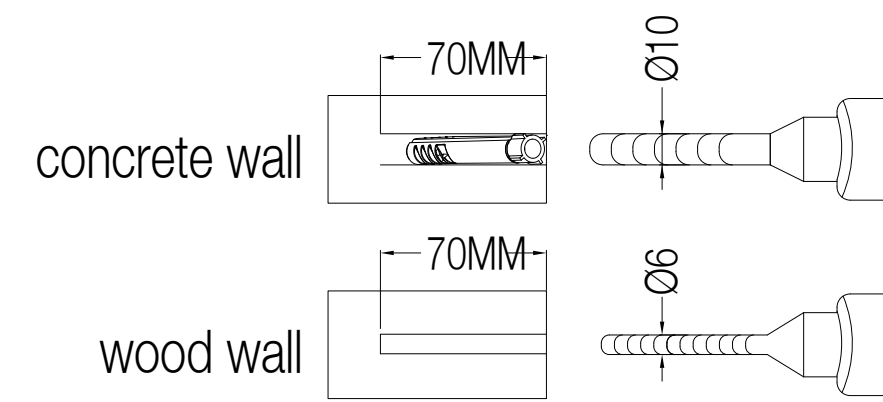
FLAT PANEL TV MOUNT INSTALLATION INSTRUCTIONS


PARTS

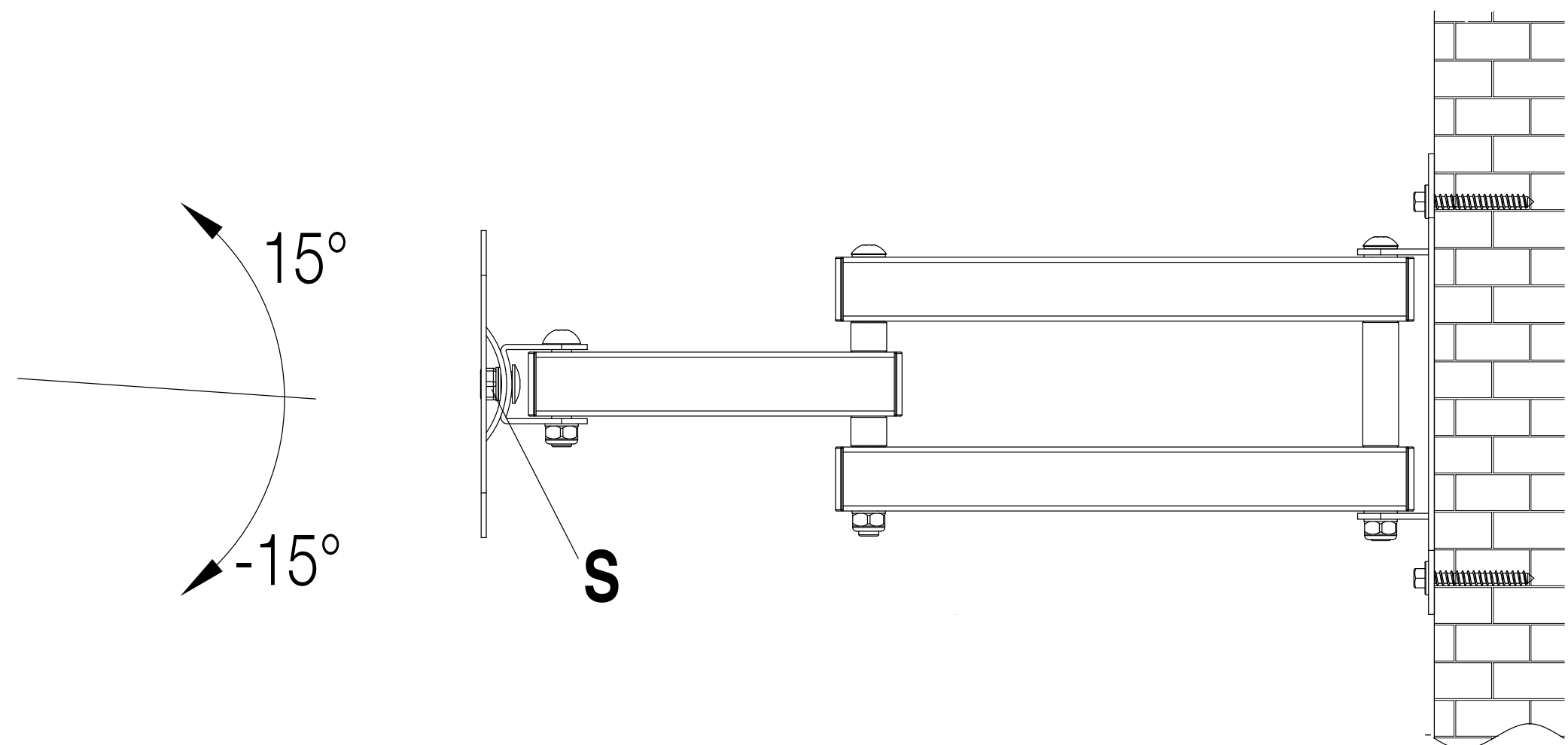
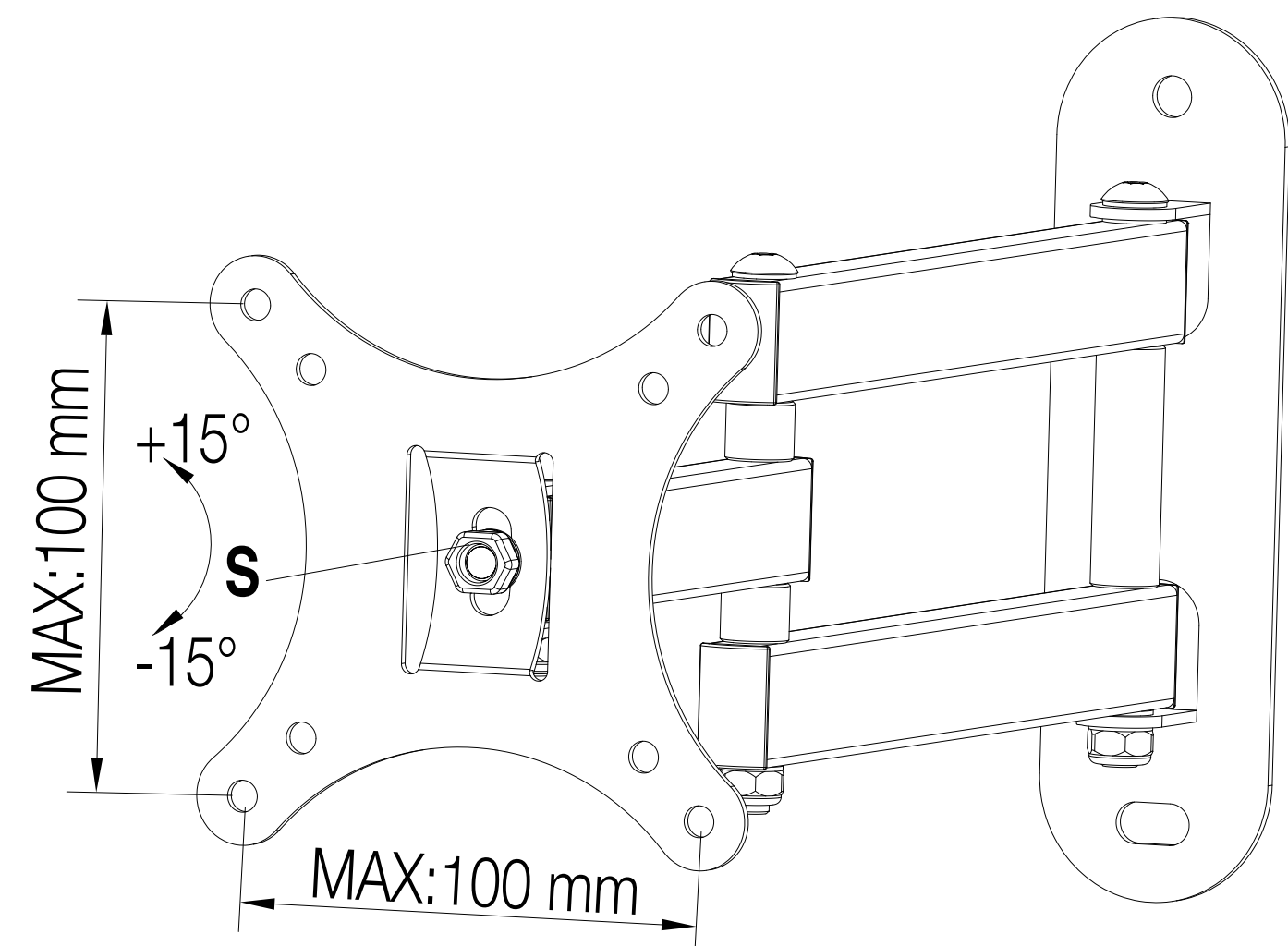
| | | | | | | | |
|----------|--|---------|---------|----------|--|----------|---------|
| A | | M6 x 12 | (4 pcs) | G | | Hex key | (1 pc) |
| B | | M5 x 12 | (4 pcs) | H | | | (1 pc) |
| C | | M4 x 12 | (4 pcs) | I | | Ø10 x 50 | (2 pcs) |
| D | | Ø6 | (4 pcs) | J | | M6 x 50 | (2 pcs) |
| E | | Ø5 | (4 pcs) | K | | | (1 pc) |
| F | | Ø4 | (4 pcs) | | | | |

1


1. Ensure the wall is suitable for installation (see warning 1).
2. Draw a vertical line on the wall using a spirit level. Mark where to drill by using bracket (**K**) as a template over the line.
3. Drill 70mm-deep holes using 10 or 6 mm drill bit depending on wall type (see right).
4. Fix bracket (**K**) to the wall with accessories (**J**) and (**I**; not required if installing to wood).



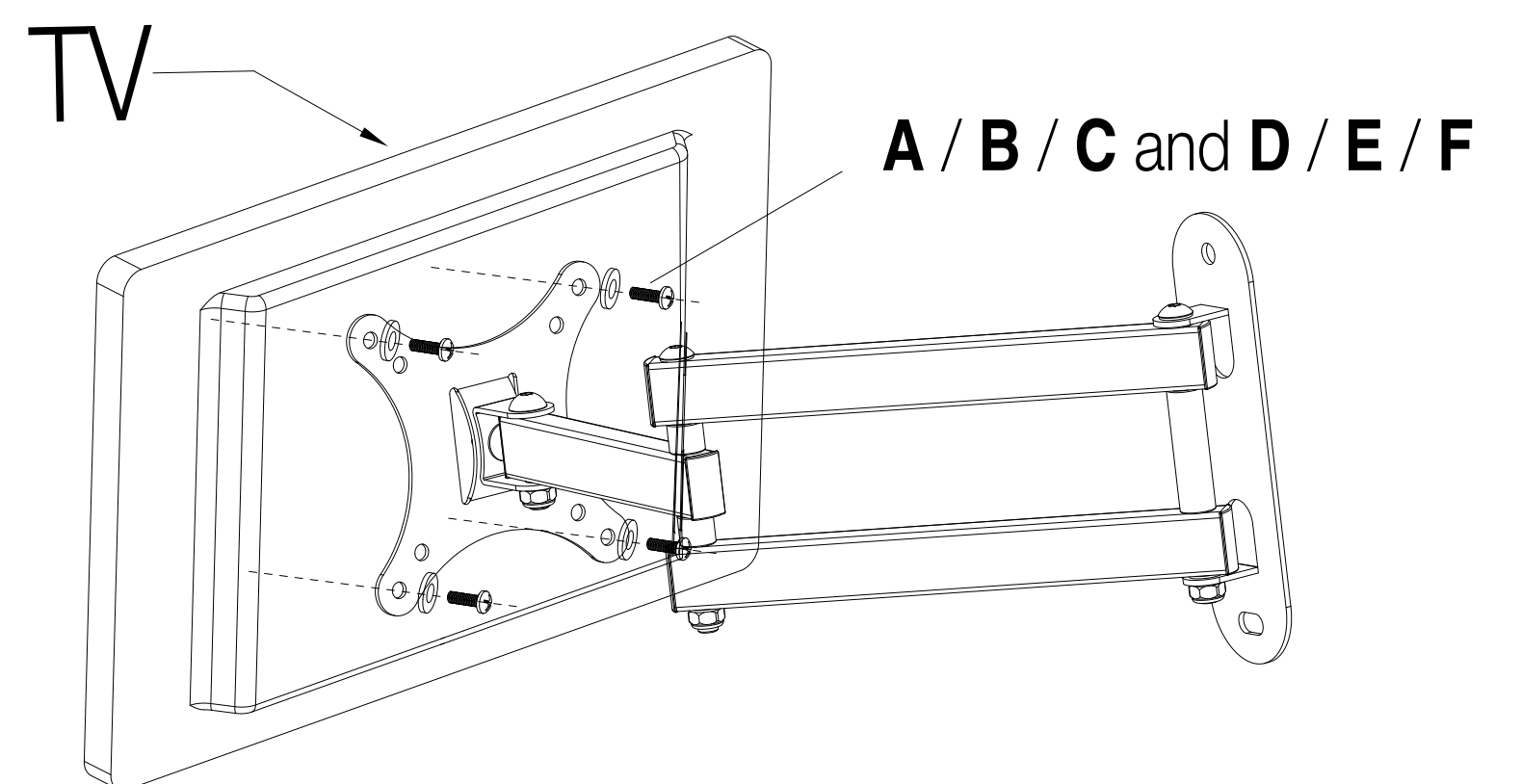
Distance to the wall : 50 - 380 mm


2


The viewing angle of the TV can be adjusted by loosening nut (**S**), then retightening once the position is set. Do not over-tighten or you risk damaging the unit.

! WARNING :

1. The plate must be installed on a firm surface such as a wall made from concrete, solid brick or solid wood.
2. Tighten the screws so that the wall plate is firmly attached, but do not over-tighten. Over-tightening can damage the screws, greatly reducing their ability to hold.
3. Do not remove or loosen screws unless the TV is removed. Doing so may cause the bracket to fall.
4. This product should be installed by a qualified tradesman.

3


Fix TV to bracket with correctly-sized screws (**A**, **B** or **C**), and matching washers (**D**, **E** or **F**).