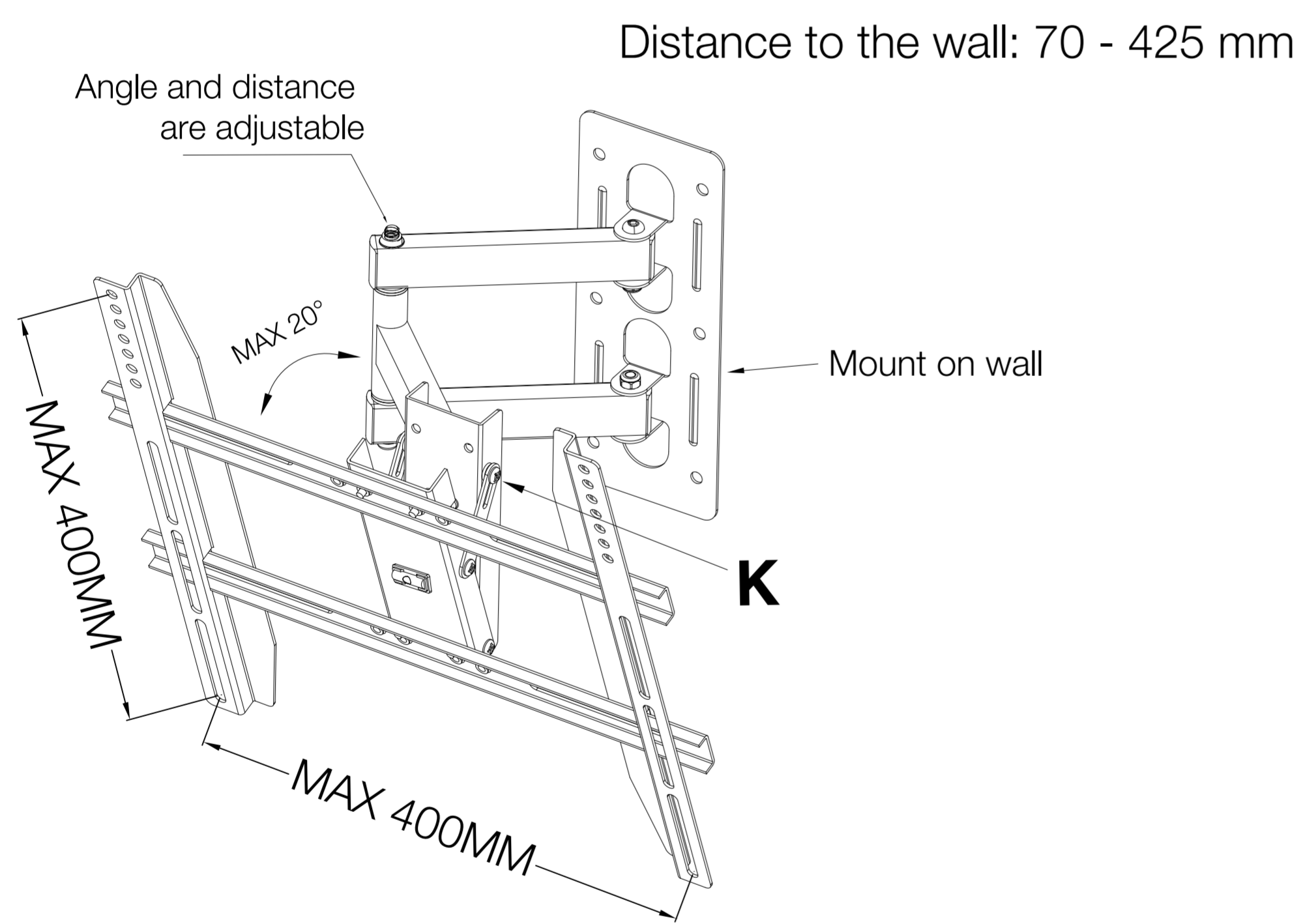
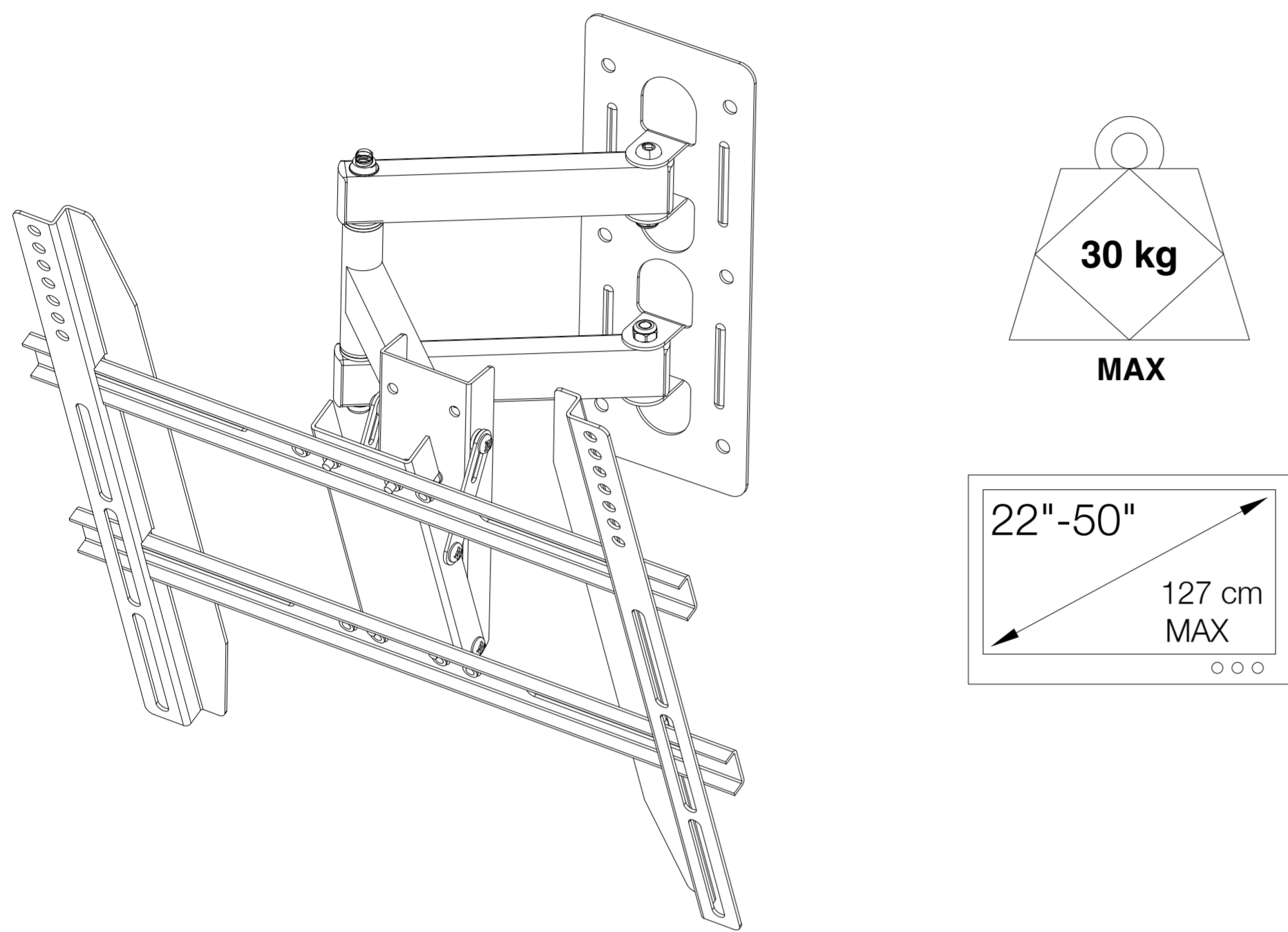


FLAT PANEL TV MOUNT INSTALLATION INSTRUCTIONS



The viewing angle of the TV can be adjusted by loosening (K) then retightening.

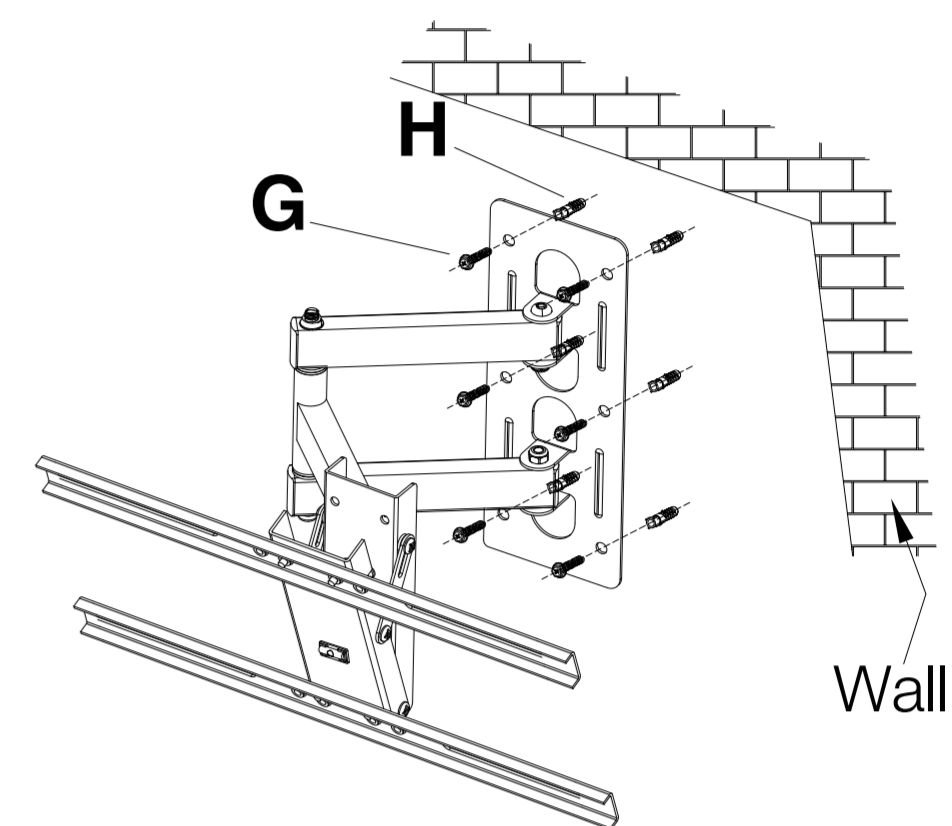
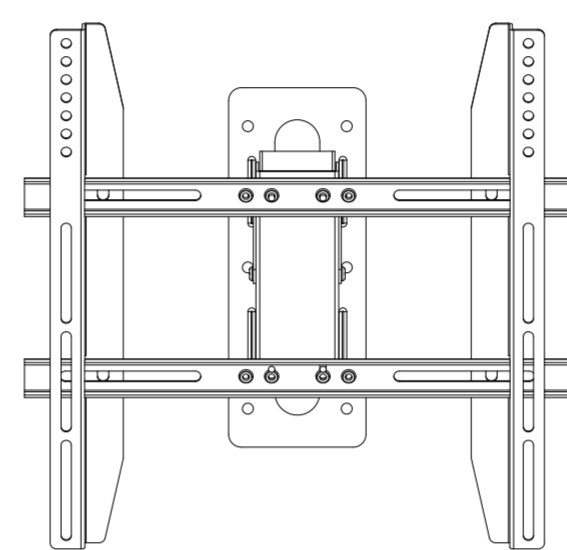
! WARNING :

1. The plate must be installed on a firm surface such as a wall made from concrete, solid brick or solid wood.
2. Tighten the screws so that the wall plate is firmly attached, but do not over-tighten. Over-tightening can damage the screws, greatly reducing their ability to hold.
3. Do not remove or loosen screws unless the TV is removed. Doing so may cause the bracket to fall.
4. This product should be installed by a qualified tradesman.

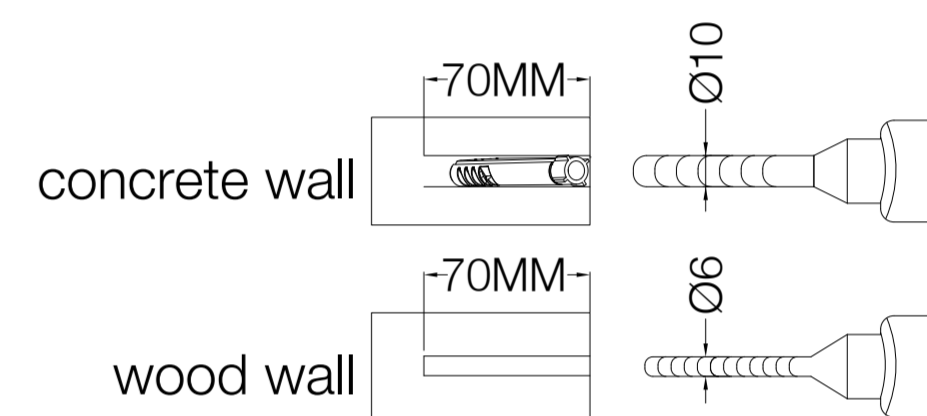
PARTS

A		M6 x 15	(4 pcs)	G		Ø10 x 50	(6 pcs)
B		M5 x 15	(4 pcs)	H		M6 x 50	(6 pcs)
C		Ø6	(4 pcs)	I			(1 pcs)
D		M8 x 20	(4 pcs)	J			(2 pcs)
E		M8 x 8	(4 pcs)				

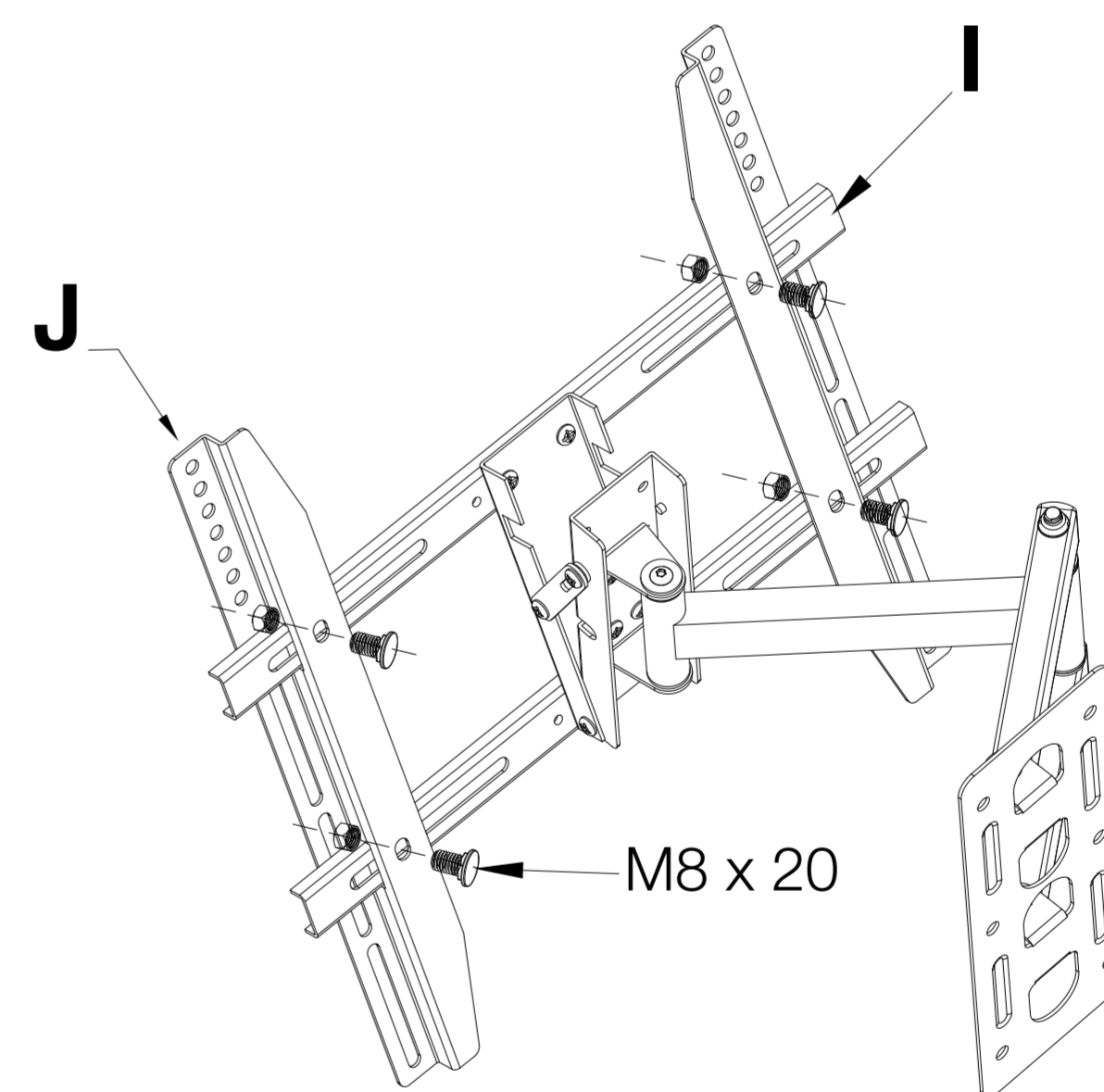
1



1. Ensure the wall is suitable for installation (see warning 1).
2. Hold sub-assembly (I) against wall perfectly level (use spirit level if required) and mark holes for drilling.
3. Drill 70mm-deep holes with diameter depending on wall type (see right).
4. Fix sub-assembly (I) to wall with accessories (H) and (G; not needed if installing on wooden wall).

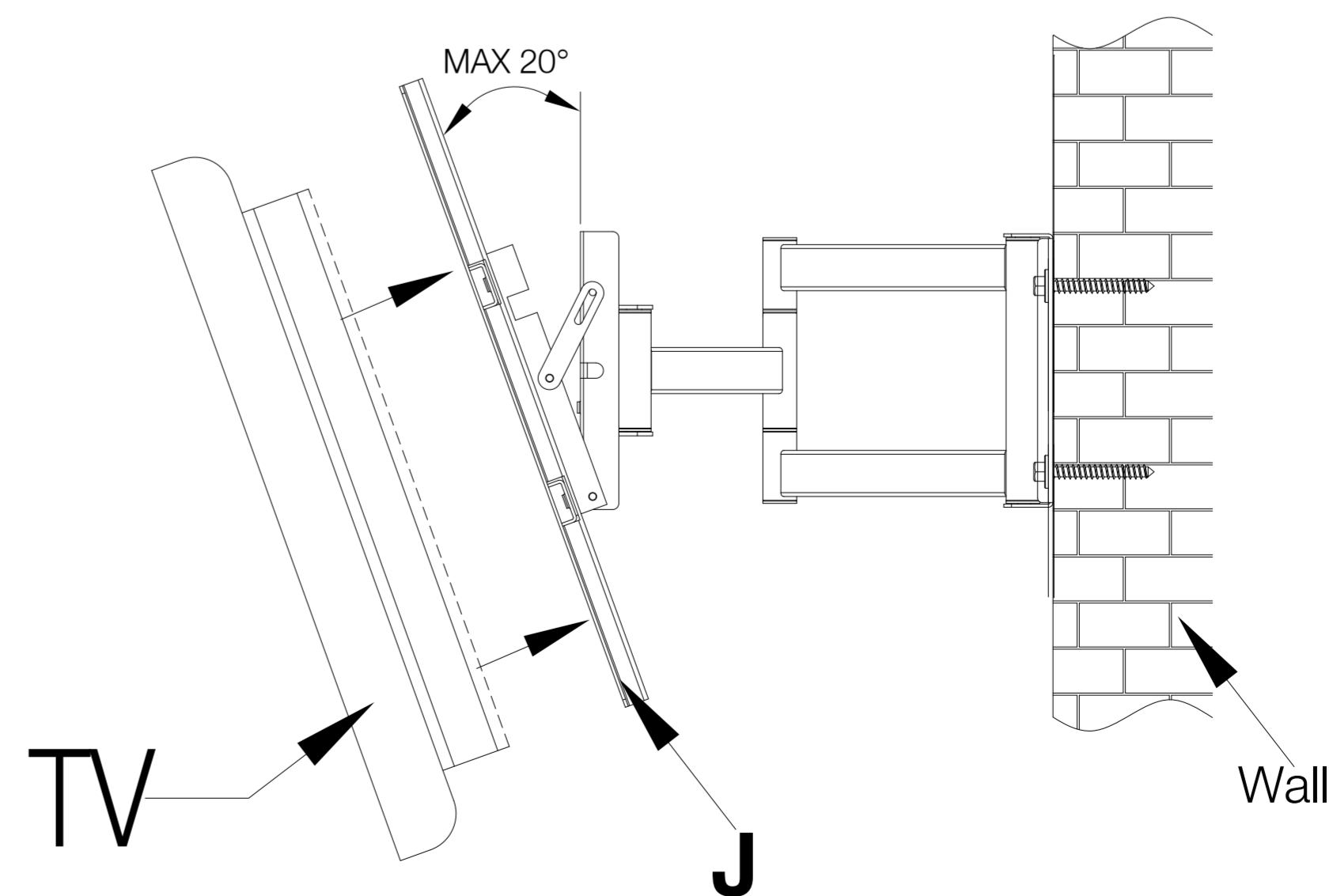


2



Hang brackets (J) on sub-assembly (I), then fasten with accessories (D) and (E). Please do not over-tighten to avoid stripping the thread.

3



Fix the TV to the newly installed bracket using accessories (A) or (B). You may need to supply your own screws if your TV requires a different size. You can slide parts (J) in or out to match your VESA hole spacing.