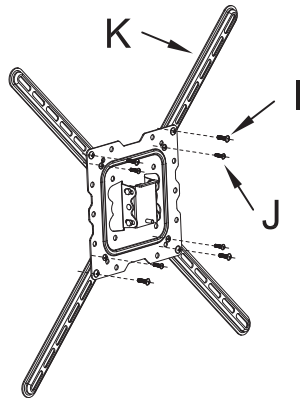
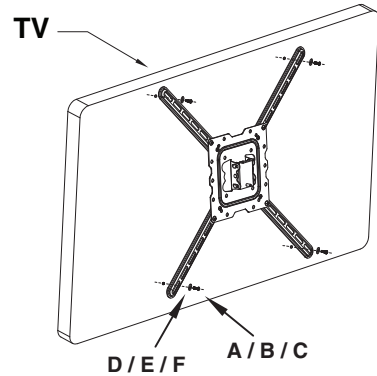


1

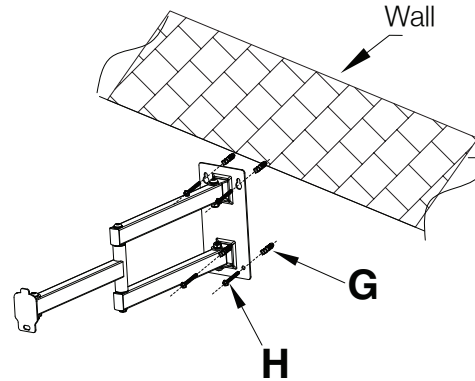
If attached, remove plate from end of arm (L) and affix diagonal parts (K) using screws (I) and (J)


2

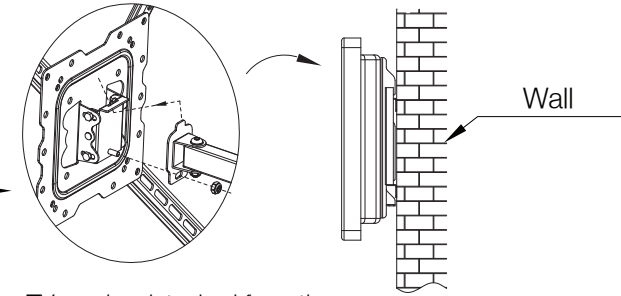
Fix fully-assembled plate to back of TV using appropriate screws and matching washers as indicated.


3

Fix arm (L) to the wall using accessories (G) and (H). See warning 1. If fixing to wood, wall plugs (G) not required. Ensure bracket is perfectly straight using spirit level if required.


4

Slip TV and plate onto wall arm (L) as shown. Fasten nut to stud and tighten to secure.



The TV can be detached from the wall arm easily when required.

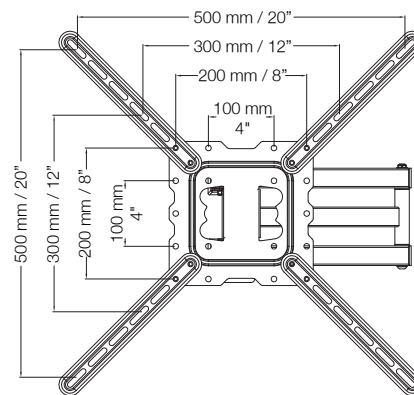


Do not attempt to lift the TV by yourself.



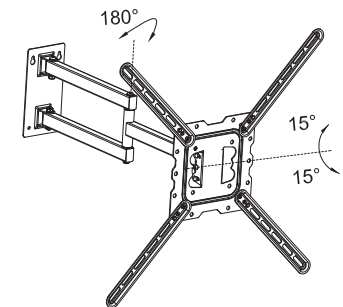
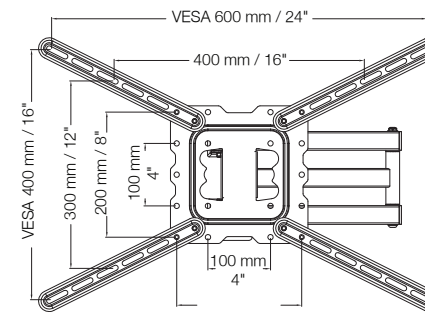
WARNING :

1. The plate must be installed on a firm surface such as a wall made from concrete, solid brick or solid wood.
2. Tighten the screws so that the wall plate is firmly attached, but do not over-tighten. Over-tightening can damage the screws, greatly reducing their ability to hold.
3. Do not remove or loosen screws unless the TV is removed. Doing so may cause the bracket to fall.
4. This product should be installed by a qualified tradesman.



VESA hole spacing : 600 x 400 mm
400 x 400 mm
300 x 300 mm
200 x 200 mm
100 x 100 mm

For TV sizes : 22 inch and up
Maximum load : 30 kg



PARTS

A		M8 x 25 (4 pcs)	G		ø10 x 50 (4 pcs)
B		M6 x 25 (4 pcs)	H		M6 x 50 (4 pcs)
C		M5 x 15 (4 pcs)	I		M8 x 8 (4 pcs)
D		ø8 (4 pcs)	J		M6 x 8 (4 pcs)
E		ø6 (4 pcs)	K		(4 pcs)
F		ø5 (4 pcs)	L		(4 pcs)