



# Cyclonic Vacuum Cleaner VC-HH216

01

Important Safeguards

02

Parts and Accessories

03

How to Assemble

04

Charging

05

How to Use

06

Cleaning

07

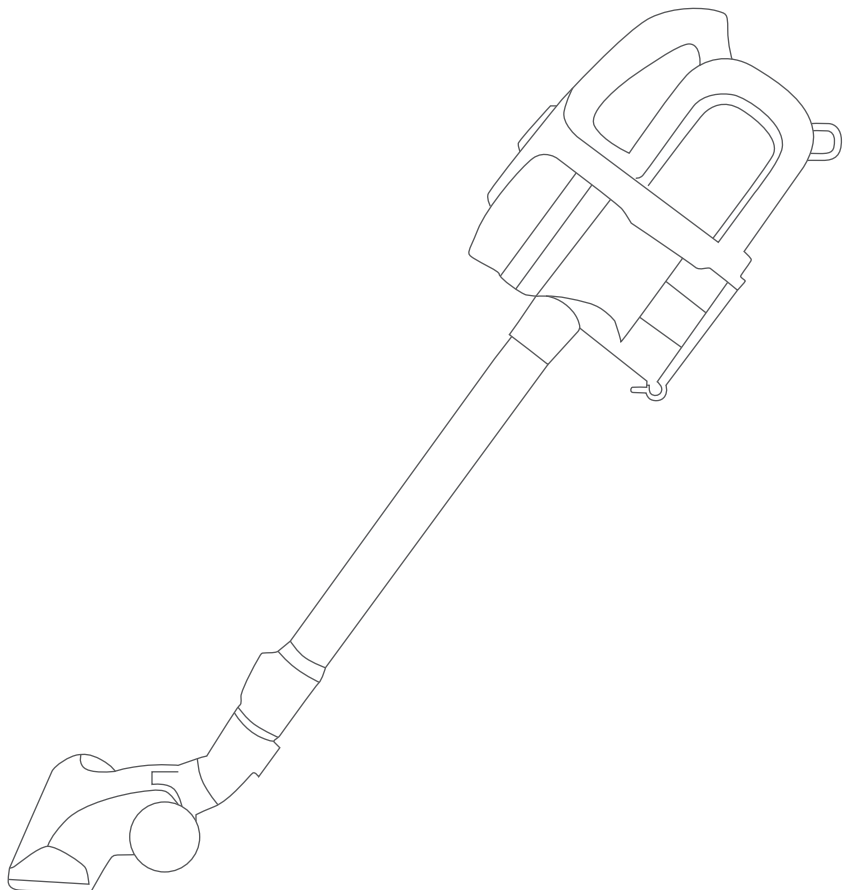
Technical Specifications

08

Troubleshooting

09

Important Notice



**For household use only**

1. Please read the instructions and warranty information carefully before use and keep them handy for future reference.
2. The appliance may only be operated in accordance with these instructions.
3. Specifications, design and dimensions are subject to change without prior notice.

# IMPORTANT SAFEGUARDS 01

All users of this appliance must read and understand these safety precautions before operating to avoid personal injury or damage to the appliance.



Warning! The hazards or unsafe practices below could result in appliance damage, serious personal injury, or death.

1. This appliance is not intended for use by persons (including children) with reduced physical sensory or mental capabilities, or lack of experience and knowledge, unless they have been given supervision or instruction concerning use of the appliance by a person responsible for their safety.
2. Before plugging in the appliance to charge, check that the electrical rating shown on the rating plate corresponds with your household electricity supply.
3. Do not charge if the power cord or plug is damaged.
4. Do not handle the plug or appliance with wet hands.
5. Never immerse the appliance or power cord in water or splash water onto the appliance to avoid the risk of a short circuit or electric shock.
6. Avoid damaging the power cord or plug by doing the following:
  - Do not place near heating elements.
  - Do not modify, bend, twist or pull.
  - Do not place heavy objects on top, or bundle the power cord.
  - Do not pull on the power cord when removing the plug from the socket.
7. Children should be under supervision to ensure that they do not play with the appliance.
8. Never clean the appliance with any acidic or alkaline liquids to avoid electric shock or appliance damage.
9. Keep all packaging materials such as plastic bags, cartons and styrofoam out of reach of children.
10. If the power cord is damaged, it must be replaced by a professional repair centre or similarly qualified person in order to avoid hazard.
11. Any servicing should be performed by an authorised service representative. Do not attempt to disassemble, repair or modify the appliance.
12. Please use an independent power socket (not attached to a multiple socket adapter) with a UK mains voltage of 220 to 240 V.
13. Do not use the appliance on people or animals.
14. Do not vacuum the following:
  - Hot ash or embers.
  - Large or sharp objects.
  - Water or other liquids.
  - Flammable, combustible, or explosive, materials or gases.
  - Toner dust from printers or photocopiers, nor conductive dusts such as those from power tools.

# IMPORTANT SAFEGUARDS 01

15. Do not use the filter when wet, make sure it is completely dry to avoid damaging the appliance.
16. The plug must be removed from the socket outlet before cleaning or maintaining the appliance.
17. Clean the plug regularly with a dry cloth.
18. This appliance is designed for household use only. It is not suitable for commercial / industrial use, or for any other cleaning purposes.
19. Do not block the suction inlet or vent on the appliance.
20. Do not sit on the appliance.
21. Hold the carrying handle when using or storing.
22. Ensure that the dust filter is regularly cleaned to preserve the suction of the appliance.
23. Do not use the appliance without the dust container and filter position.
24. This appliance is fitted with a thermal cut-out device which automatically turns off the appliance to prevent overheating of the motor. If the appliance cuts out, turn it off and check the dust tank and filters, as they may be full or clogged. Check for any other obstructions in the floor brush or telescopic extension tube. After removing the obstruction, leave the appliance to cool down until the thermal cut-out resets (approximately 60 minutes, depending on the surrounding ambient temperature); you can then use the appliance again.
25. When charging, the power plug must be correctly inserted into the mains socket.
26. Do not use the appliance near any inflammable or hazardous materials.
27. Keep the appliance away from heat sources. For example, radiators, fires, direct sunlight, etc.
28. The use of accessories which are not recommended by Dihl may result in fire, electric shock, or personal injury.
29. Unplug the appliance from the power socket when fully charged.
30. If you do not intend to use the appliance for a long period of time, clean it, then put back into the original packaging to prevent the electrical components from being damaged by moisture or other factors.
31. Keep these instructions somewhere safe.

## **Warning:**

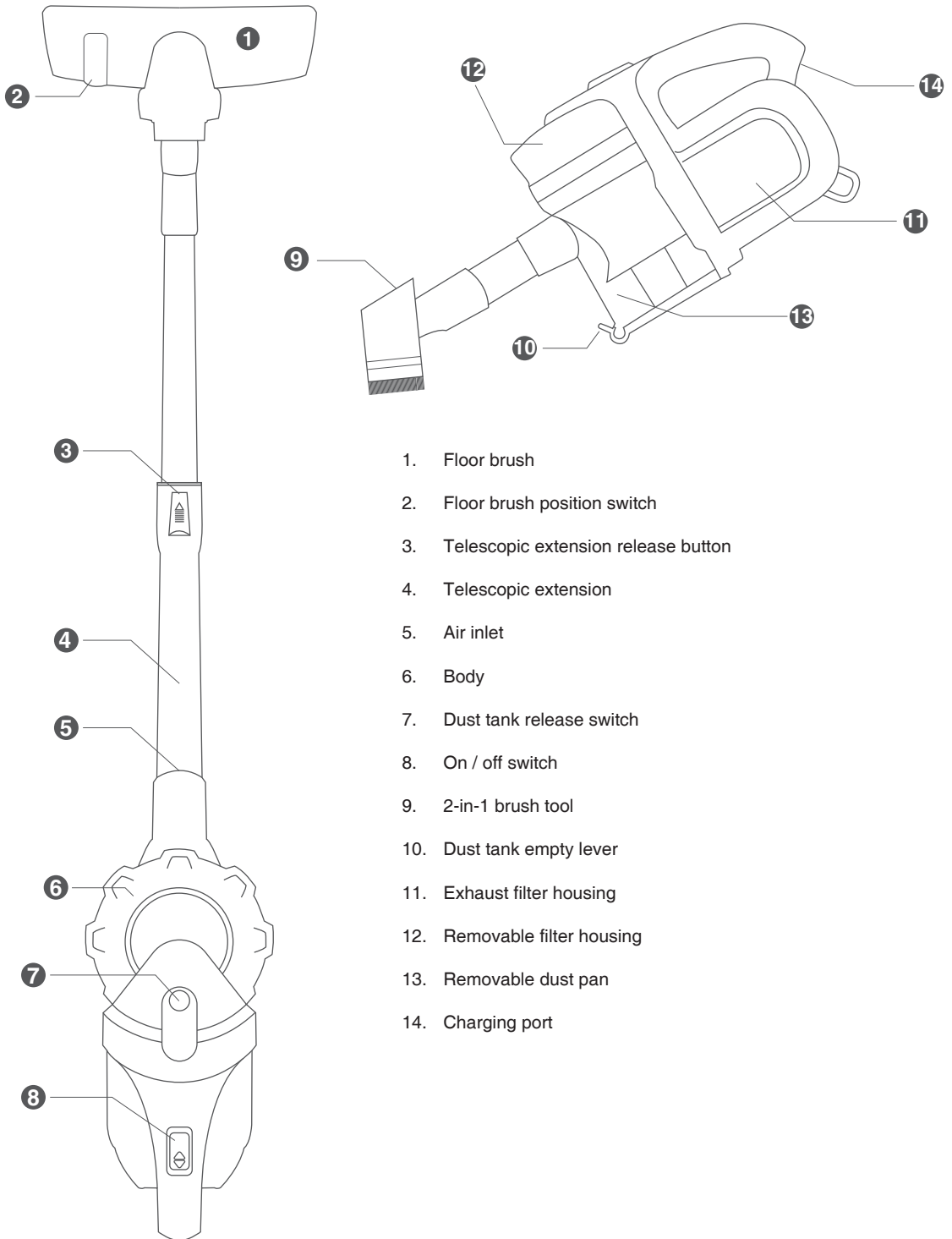
Never use any accessories or parts from other manufacturers, or that Dihl does not specifically recommend.

If you use any such accessories or parts, your warranty is invalidated.

This appliance is intended for household use only.

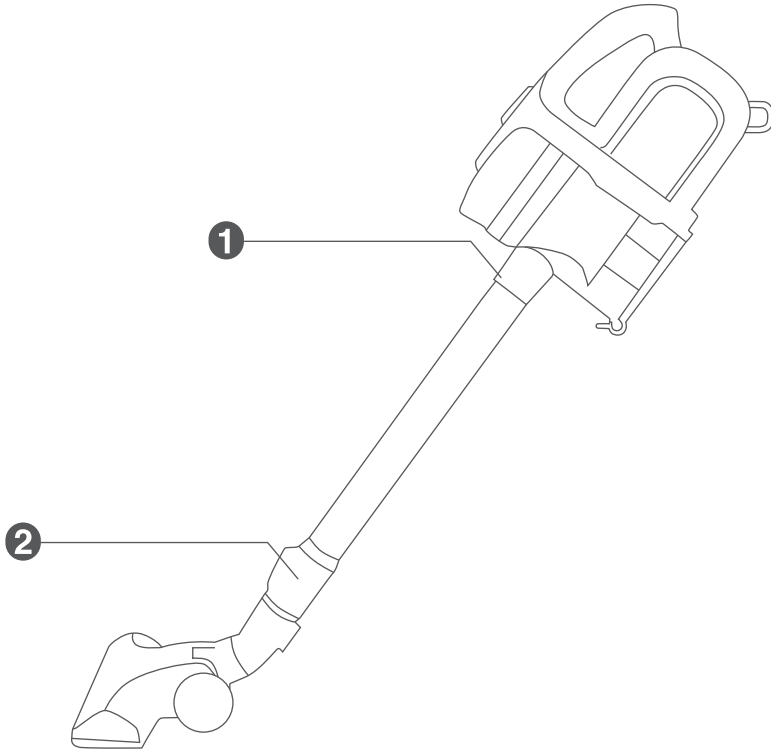
Failure to observe these cautions may result in damage to the appliance, and will invalidate your warranty.

# PARTS AND ACCESSORIES 02



# HOW TO ASSEMBLE 03

The cyclonic vacuum cleaner comes preassembled. If there are any hard to reach or narrow areas, then the telescopic extension is ideal. It will need to be attached to the air inlet (1), and the required cleaning attachment fitted to the end (2).



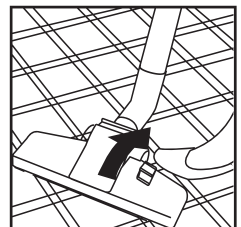
## Using the Floor Brush

STEP 1: Attach the telescopic extension to the air inlet.

STEP 2: Push the floor brush attachment onto the end of the telescopic extension.

STEP 3: Adjust the telescopic extension tube to the required length by pressing the telescopic extension tube button and sliding out the tube.

STEP 4: Select which position on the floor brush is required for the floor type by pressing the switch forwards or backwards. Switching it forwards lifts the brushes for use on carpet, and switching it backwards lowers the brushes for cleaning hard floors.



# CHARGING 04

## Before First Use

Before using your vacuum cleaner for the first time, you must clean it with a soft, damp cloth and dry it thoroughly. Do not immerse it in water or any other liquid.

The battery will also need to be charged for 3 to 4 hours before your first use; see below for details. Subsequent charging will take between 2 and 3 hours on average and you should get approximately 20 to 25 minutes of operating time depending on use.

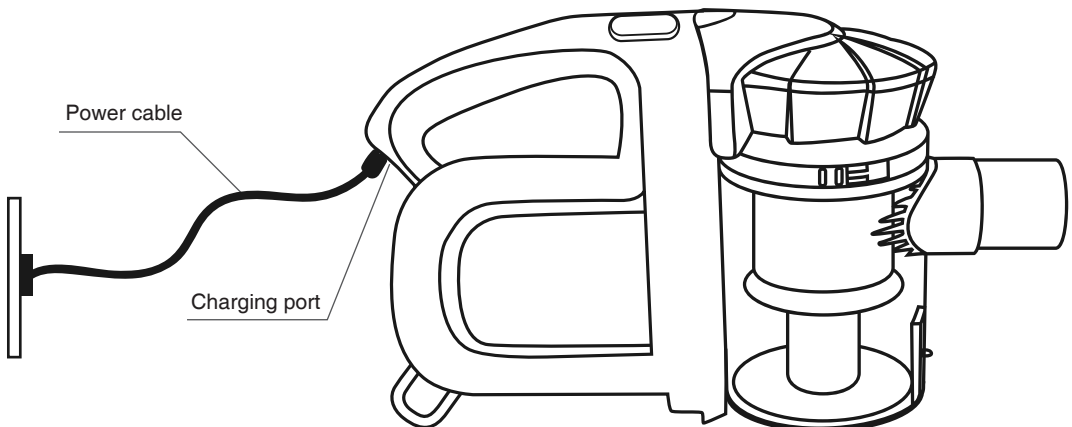
## Charging the Vacuum Cleaner Battery

**STEP 1:** Connect the mains power adapter to the charging port on the vacuum cleaner.

**STEP 2:** Plug the mains power adapter into the mains power supply. A flashing red light will indicate that the battery is charging. On completion, the light will stop flashing and will stay lit.

**NOTE:** You cannot use the device whilst charging, and it may become warm to the touch. If the vacuum cleaner is left charging for a long time, the charge indicator light will go out for energy saving purposes. Always unplug the mains power adapter after fully charging the vacuum cleaner.

**WARNING:** Do not use any mains power adapter other than supplied, as this could damage the unit or cause an electrical / fire hazard.



# HOW TO USE 05

## Using the 2-in-1 Brush Tool

STEP 1: Fit the telescopic extension into the air inlet.

STEP 2: Push the crevice / brush tool onto the end of the telescopic extension, or onto the end of the accessory attachment nozzle if the telescopic extension is not in use.

STEP 3: Select which attachment is to be used by rotating the head to either the crevice or the brush settings.

STEP 4: Turn on the cyclonic vacuum cleaner by pressing the on / off switch.

NOTE: The 2-in-1 brush tool is ideal for removing dust and dirt from corners, skirtings, or other places that are hard to reach. The small brush is good for cleaning curtains, shelves, books, and other delicate objects.

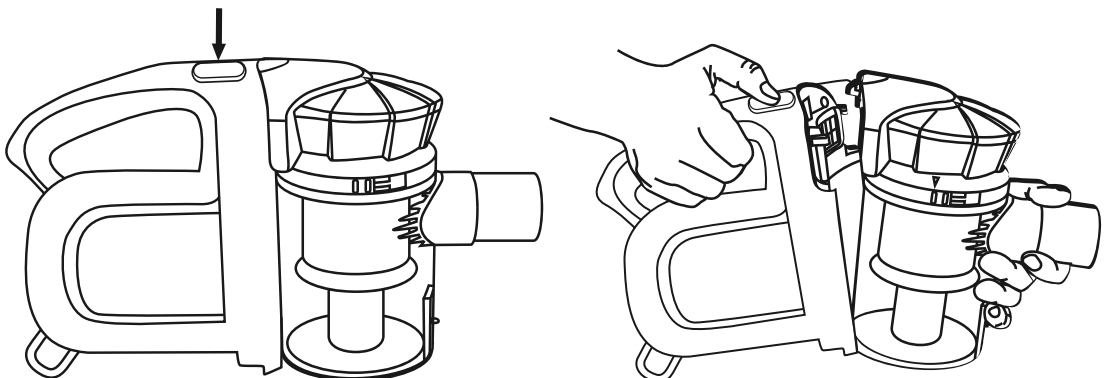
## Emptying the Dust Tank

STEP 1: Press the on / off button to turn off the appliance.

STEP 2: If charging, unplug the power cord.

STEP 3: Use one hand to hold the air inlet, and use another hand to hold the handle of the vacuum cleaner while pressing the dust tank release switch. Pull the hand that is holding the air inlet up to separate the dust tank from the vacuum cleaner.

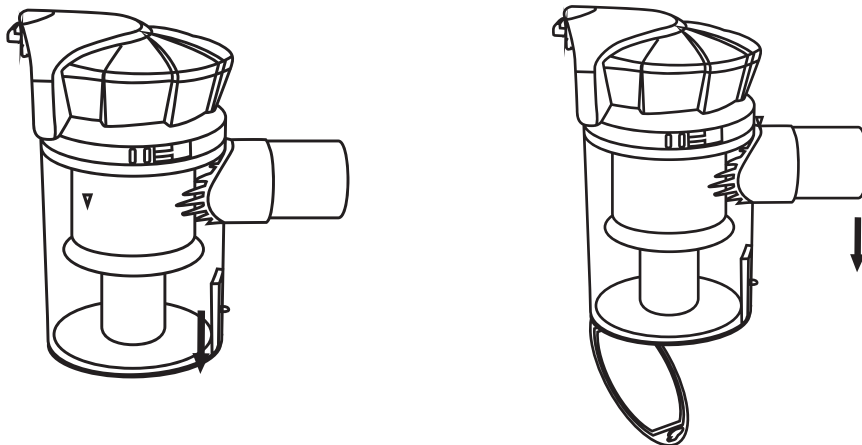
NOTE: Pull the dust tank upwards to remove it; do not pull it directly away from the vacuum cleaner.



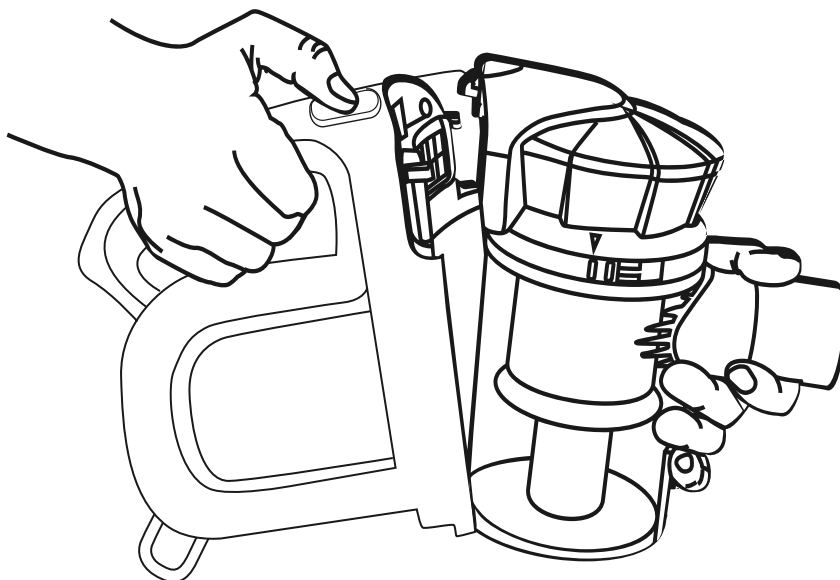
# HOW TO USE 05

STEP 4: To empty the dust tank, release the hatch by pressing the lever down while holding it over a bin or rubbish bag. Shake the dust tank gently to remove any remaining dust.

STEP 5: To close the dust tank again, simply push the lid closed until it locks back into place.



STEP 6: Replace the dust tank by aligning the bottom with the base of the motor unit. Push the dust tank in towards the motor unit until it locks back into position.



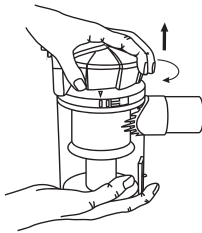


# CLEANING 06

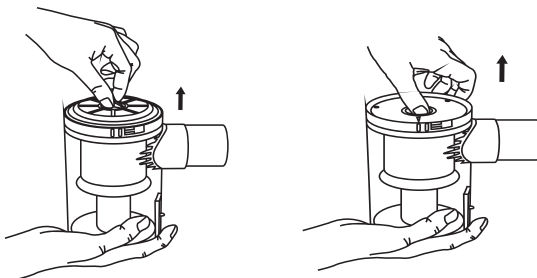
1. The vacuum cleaner must be taken off charge before cleaning or maintaining.
2. Wipe the external surface of the appliance with a soft, damp cloth and allow to dry thoroughly.
3. Do not use any detergents or harsh cleaning agents to clean any parts of the appliance.
4. Ensure that the filter is kept clean, and is cleaned after every removal of the dust tank.
5. You can remove the central filter to access the inside of the dust tank for cleaning.

## Cleaning the Removable Filter

STEP 1: Remove the dust tank by pressing the release switch and pulling it away from the appliance. Remove the lid from the dust tank by rotating it clockwise and lifting it off.

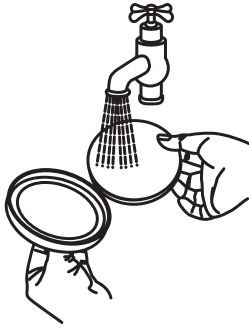


STEP 2: Remove the exhaust filter from the exhaust filter housing.

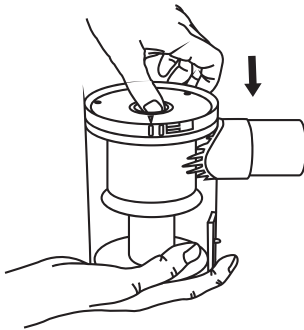


# CLEANING 06

STEP 3: Shake off the exhaust filter until the majority of the dust has been removed, then wash under clean, warm water, and allow to dry thoroughly.



STEP 4: Once the exhaust filter has dried fully, slot it back into the filter housing, then place the housing back into the dust tank.



NOTE: Do not clean the removable filter using detergent. Do not use external heat sources, such as a radiator, to dry the filter.

# TECHNICAL SPECIFICATIONS 07

Model	VC-HH216
Product Name	Cyclonic Vacuum Cleaner
Voltage	21.6 V
Rated Power	130 W
Suction Power	45 Airwatts
Battery	2200 mAh Li-ion, non-removable
Weight	1.3 kg (handheld unit only)

# TROUBLESHOOTING 08

Should you run into any problem operating this product, use the table below to troubleshoot. If the problem persists, contact Dihl or your retailer.

Problem	Possible Cause	Solution
The appliance will not switch on	Battery is depleted	Connect to charger
	The thermal cut-out device tripped	Turn off the appliance. Allow to cool so that the thermal cut-out device resets itself.
		Clean the dust tank and filter
Loss of suction	Full or clogged dust tank	Empty the dust tank
	Clogged extension tube	Check for blockages
	Clogged floor brush	Check for blockages
	Extension tube not inserted correctly	Check the extension tube connection. Clean the dust tank and filters
	Dirty filters	Clean the dust tank and filter

The above table lists the most common problems regarding the operation of your product, with possible causes and solutions.

Should there be any product malfunction or breakdown, DO NOT repair it yourself. Contact Dihl or your supplier / retailer if you are within your warranty period, or a professional repair centre if not.

# IMPORTANT NOTICE 09

IN NO EVENT SHALL DIHL OR YOUR SUPPLIER / RETAILER BE LIABLE TO YOU OR ANY OTHER PARTY FOR ANY DIRECT, INDIRECT, GENERAL, SPECIAL, INCIDENTAL, CONSEQUENTIAL, EXEMPLARY, OR OTHER DAMAGES, ARISING FROM THE USE OR INABILITY TO USE THIS PRODUCT (INCLUDING, WITHOUT LIMITATION, DAMAGES FOR INJURY, LOSS OF PROPERTY OR PROFITS, AND BUSINESS INTERRUPTION) OR FROM ANY BREACH OF WARRANTY, EVEN IF DIHL OR THE SUPPLIER / RETAILER HAS BEEN ADVISED OF THE POSSIBILITY OF SUCH DAMAGES. IN NO CASE SHALL DIHL'S OR THE SUPPLIER'S / RETAILER'S LIABILITY EXCEED THE AMOUNT YOU PAID FOR THE PRODUCT.

Specifications, design and dimensions are subject to change without prior notice.

## DISPOSAL INFORMATION

Waste electrical products should not be disposed of with household waste. Please recycle where facilities exist. Check with your local authority for recycling advice.



## WARRANTY

Your new Dihl product is supplied with a warranty of 12 months from the date of purchase. The product must be used in the manner indicated within this manual. Any abuse of any parts of the product will invalidate the warranty.

\*-----\*



Products for the Home

To view our entire range, visit [www.dihl.co.uk](http://www.dihl.co.uk)